

Power Amplifier 20-50GHz /33dB Gain/27 dBm Psat

TLPA20G50G-33-27

TURPA20G50G-3327 is a power amplifier with a typical gain of 35 dB and a nominal Psat of 28 dBm across the frequency range of 20 to 50 GHz. The DC power requirement for the amplifier is +12 VDC/1.4 A. The input and output port configuration offers coax adapter structure with 2.4mm female.

Features:

- Ultra Wide Band: 20-50GHz
- Gain: 35dB Typ
- Output Power Psat: 28dBm Typ
- Good Power and Gain Flatness
- 50 Ohm Matched Input / Output

Applications:

- Cellular
- PCN
- GSM
- ISM
- Lab Test

电气特性 Electrical Characteristics:

参数 Parameter	Min	Typ	Max	单位 Units
频率范围 Frequency range		20-50		GHz
增益 Gain	33	35		dB
增益平坦度 Gain Flatness		±3		dB
线性输出功率 Output P1dB		27		dBm
饱和输出功率 Output Psat	27	28		dBm
输入驻波 Input VSWR		2		:1
输出驻波 Output VSWR		2		:1
直流电压 DC Voltage		12		V DC
直流电流 DC Supply Current		1.4		A
阻抗 Impedance		50		Ohms

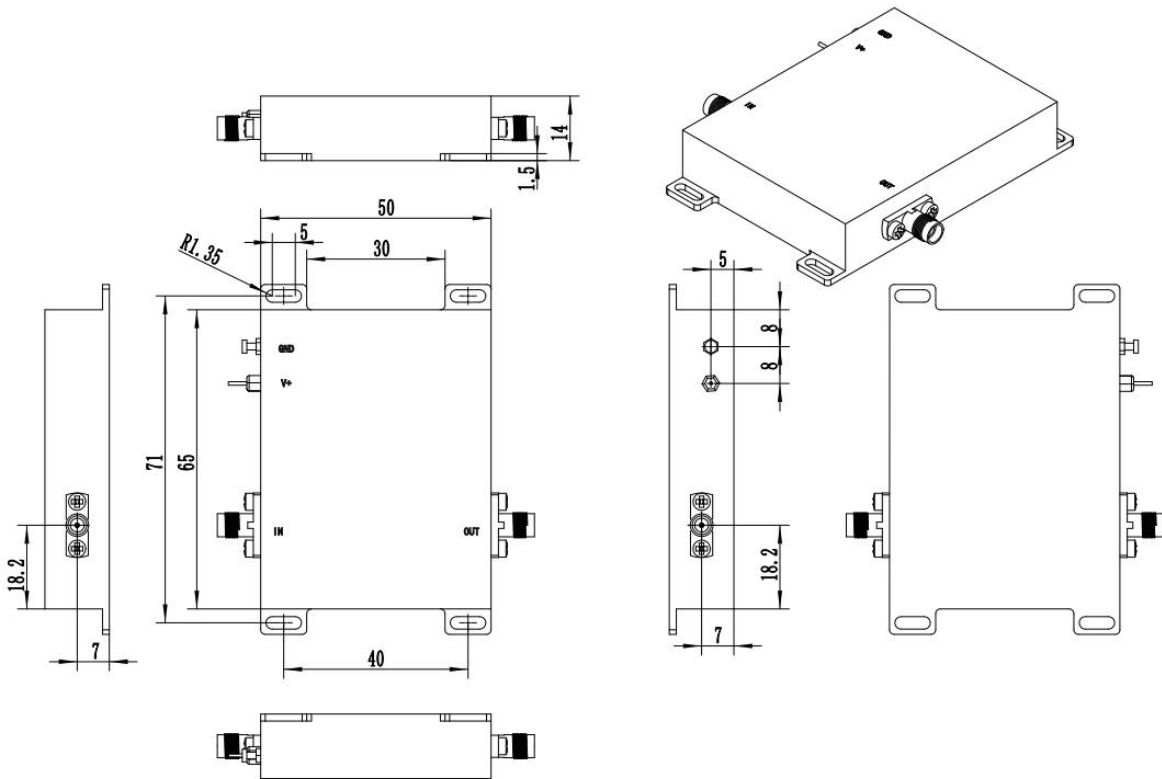
机械特性 Mechanical Specifications:

参数 Parameter	指标 Value	单位 Units
输入/输出接口 Input /Output Connector	2.4mm Female/2.4mm Female	
直流偏置 DC Bias	Solder Pin	
尺寸 Size	65*50*14(Without Heatsink) 100*50*64(With Heatsink)	mm

绝对最大值 Absolute Maximum Ratings:

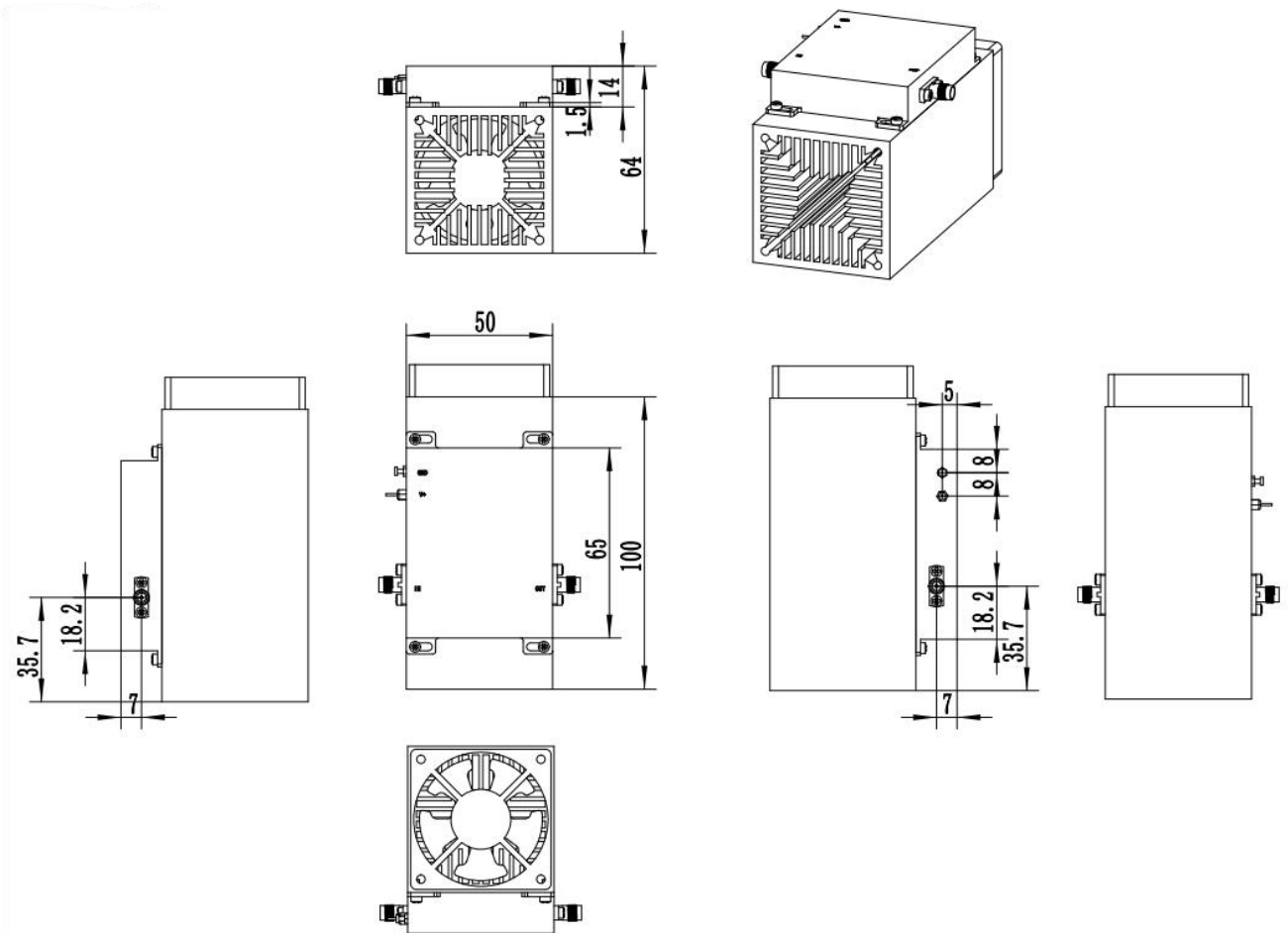
参数 Parameter	指标 Value
供电偏置电压 Supply Bias Voltage	TBD
输入功率 RF Input Power	+5 dBm
ESD灵敏度 ESD sensitivity (HBm)	Class 0, passed 150V

外形图 Outline Drawing: Unit:mm



外形图 Outline Drawing:

Unit:mm



温度环境 Environmental Conditions:

参数 Parameter	Min	Typ	Max	单位 Units
操作温度 Operating Temperature*	-40		+60	°C
存储温度 Non-operating Temperature*	-50		+70	°C
相对湿度 Relative humidity		95		%
海拔 Altitude	10,000			feet
震动 Shock / Vibration(MIL-STD-810F)	25g rms (15 degree 2KHz) endurance, 1 hour per axis			
冲击 Shock(non operating)	20G for 11msc half sin wave,3 axis both directions			

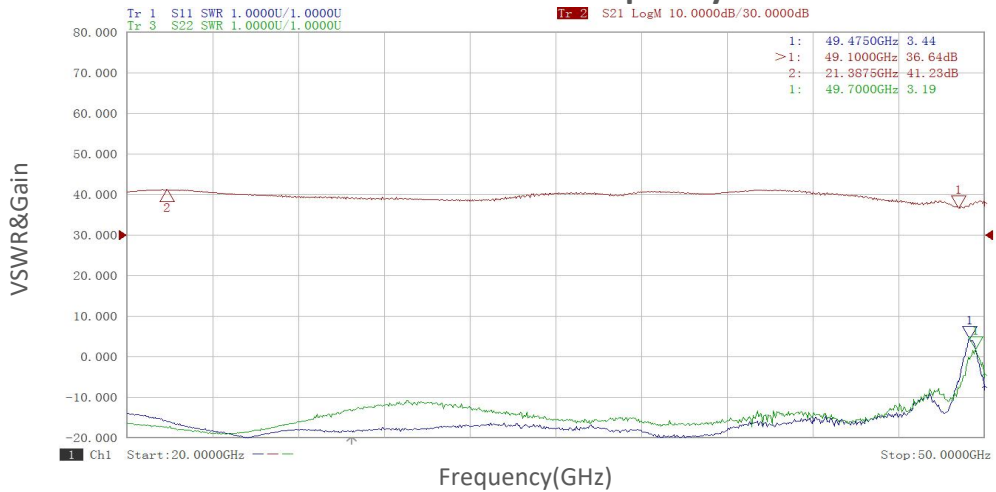
*Note: For a wider temperature range, please consult the manufacturer.

订货信息 Ordering Information:

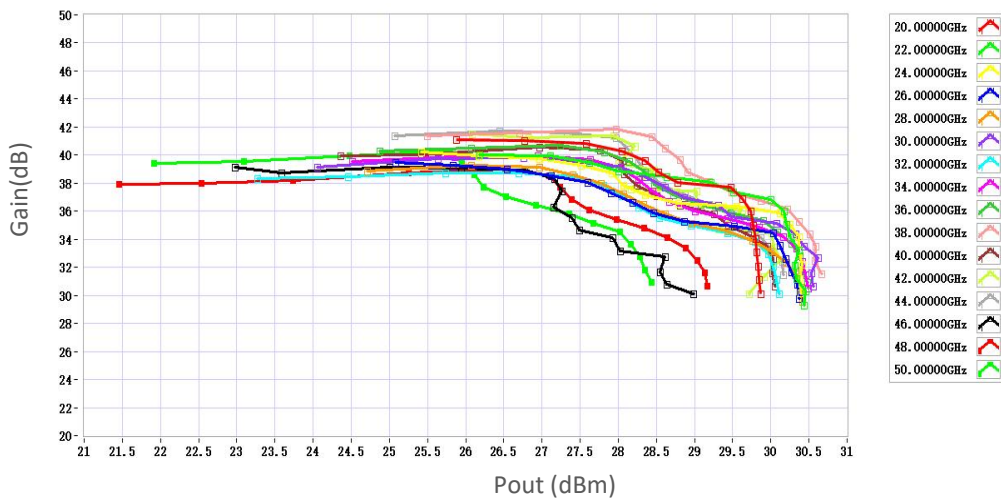
标准型号 Base Number	描述 Description	版本号 Revision
TURPA20G50G-3327	Power amplifier 20-50GHz,Gain:35dB,Psat:28dBm, +12V DC,Without Heatsink	Rev.1.1
TURPA20G50G-3327 HS	Power amplifier 26.5-40GHz,Gain:35dB,Psat:28dBm, +12V DC,With Heatsink	Rev.1.1

典型曲线 Typical Performance Data:

VSWR&Gain vs Frequency

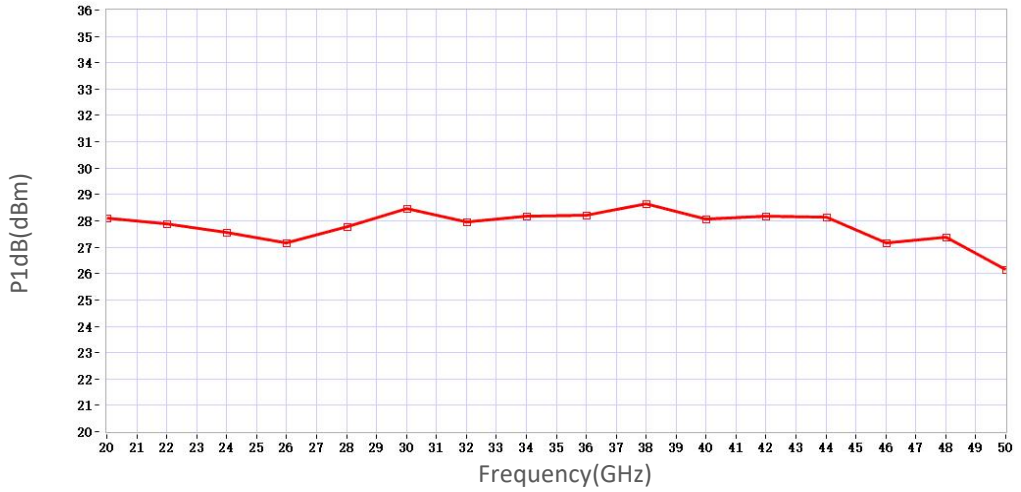


Gain vs Output Power

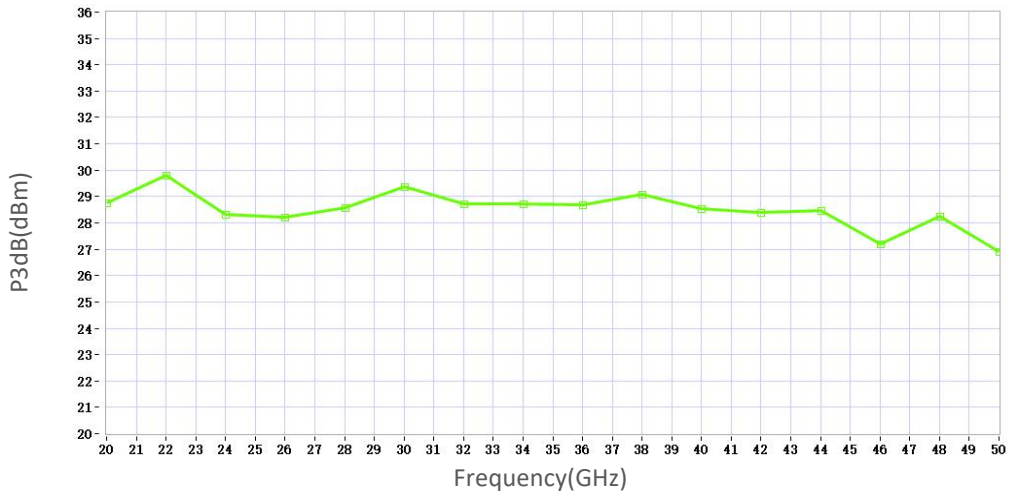


典型曲线 Typical Performance Data:

P1dB vs Frequency



P3dB vs Frequency



Psat vs Frequency

Psat(dBm)